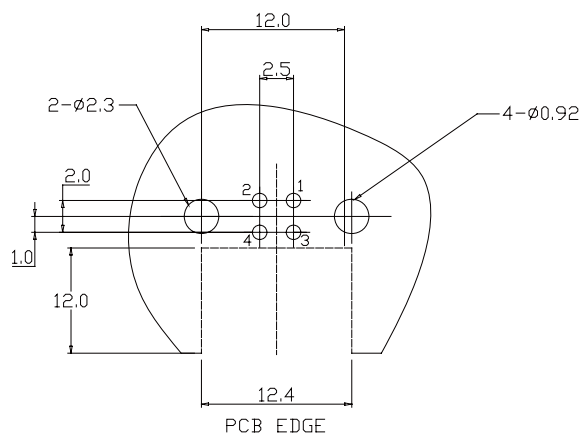
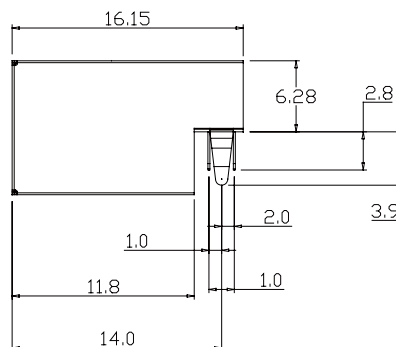
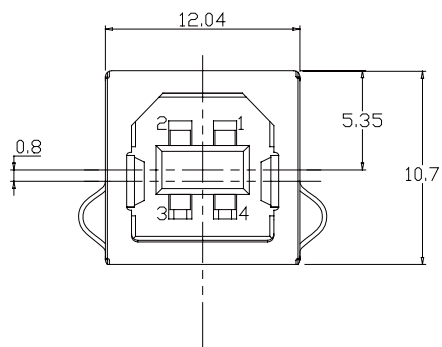


BY	CHK	REVISION RECORD MODIFICATIONS	DATE	REV.
ALLEN		RELEASE TO PRODUCTION	2007,9,10	1 0



Part No.: USB-001D-B -U
 B:Black W:White

No.	NAME	MATERIAL	FINISH	REMARK	Q'TY
1	HOUSING	P.B.T. G.F.	BLACK/WHITE		1
2	PIN TERM.	COPPER ALLOY T:0.25	GOLD/TIN PLATED	NI:1-1.5u; Ti:3u. GOLD:1-3	4
3	SHELL	BRASS T:0.3	NICKEL PLATED	NI:2~3u	1

APPRO	CHECK	DRAWN	PART NO.	Part No.:USB-001D-B-U	DESCRIPTION	
			ITEM NO.			
			DRAW NO.			
			UNIT	mm SCALE no		
			TOLER	NO.	Tel:0769 22020068 Fax: 0769 22020069 E-mail: sales@vigortec.com	